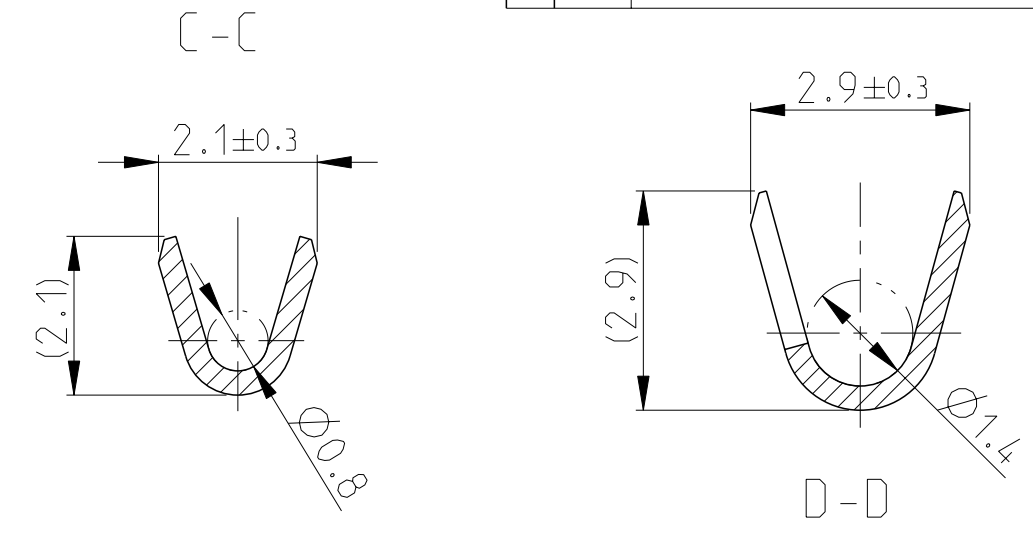
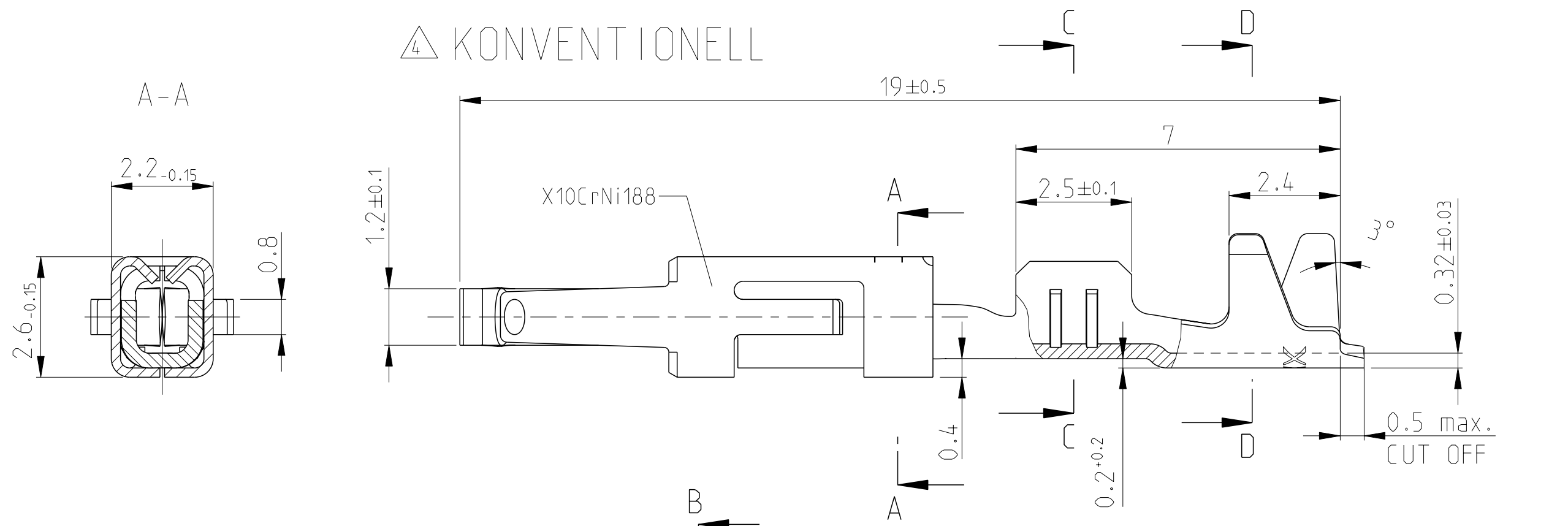


THIS DRAWING IS UNPUBLISHED. RELEASED FOR PUBLICATION 2008
 © COPYRIGHT 2008 Tyco Electronics AMP GmbH ALL RIGHTS RESERVED.

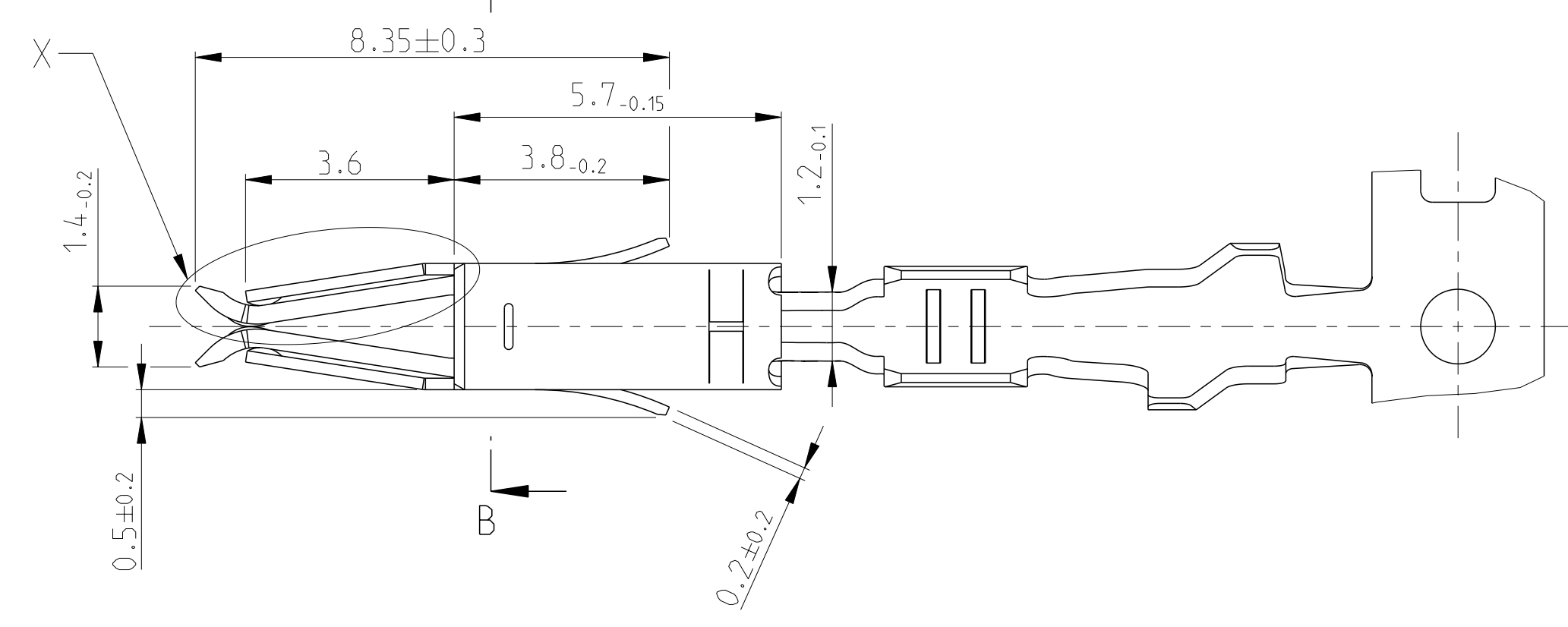
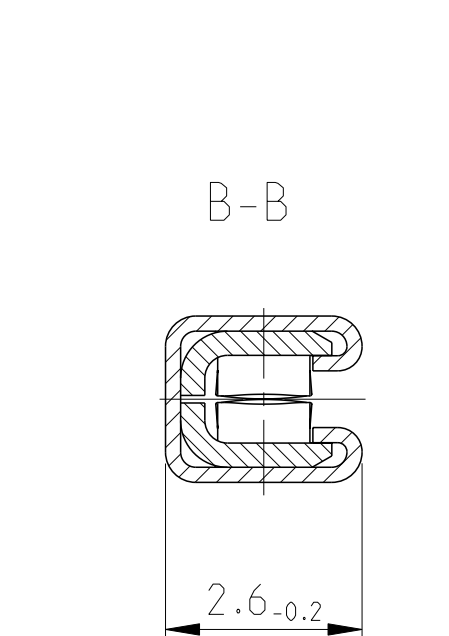
REVISIONS					
P	LTR	DESCRIPTION	DATE	DWN	APVD
J2		NEW VERSION OF GOLD CONTACTS PERMITTED.	18MAY2011	Kirs	Mair
J3		OPTIONAL to note 8 TTD added. (area A3)	28JUN2011	Kirs	Mair
J4		SURFACE ERROR (962942-6) CHANGE NOTE 1 TO NOTE 2	06MAR2012	Kirs	Eder
J5		SET PN's OBSOLETE	17JUN2014	Ho.	Eder

△ KONVENTIONELL

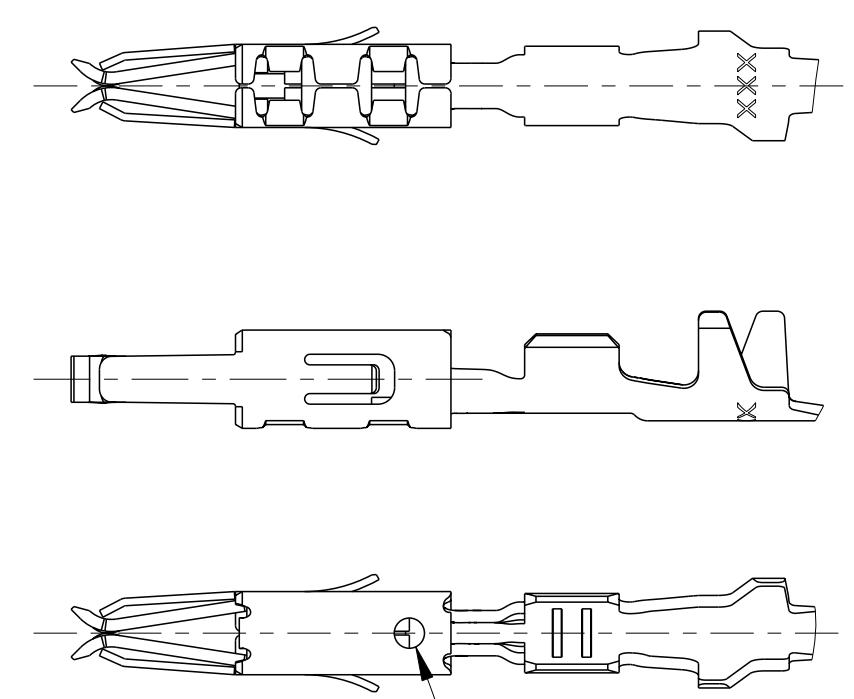


NOTES
Bemerkungen

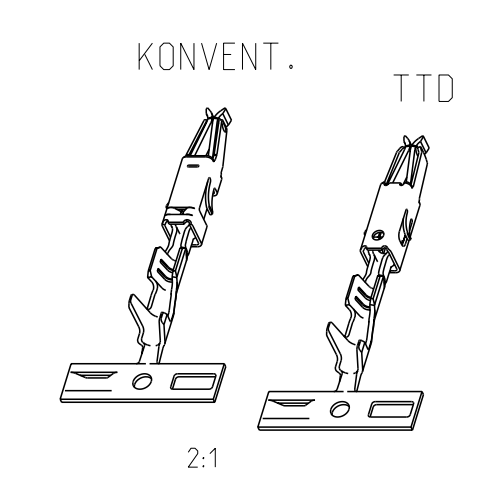
- 1 SELECTIVE GOLD OVER NICKEL 0.8 µm MIN.
selektiv vergoldet ueber Nickel 0.8 µm min.
- 2 TIN PLATED OVER NICKEL 0.2 µm MIN.
verzinkt ueber Nickel 0.2 µm min.
- 3 WIRE RANGE : 0.2 - 0.5 mm²
INSULATION-Ø : 1.15 - 1.6 mm (FLR)
Drahtgroessenbereich : 0.2 - 0.5 mm²
Isolations-Ø : 1.15 - 1.6 mm (FLR)



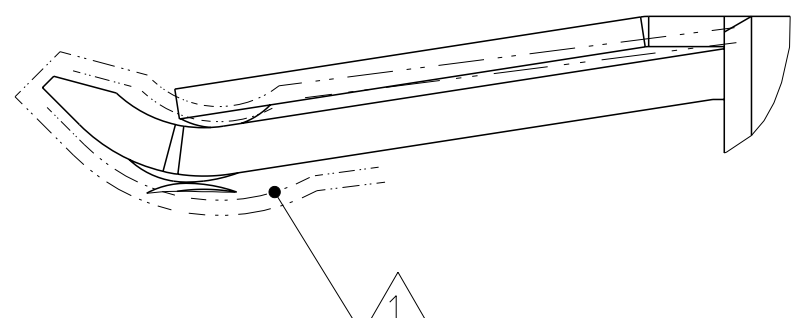
△ TWO TRACK DIE
M 5:1



OPTIONAL
wahlweise



X
M 20:1



VERSION	LP NO	SURFACE / Oberflaeche	MATERIAL	PART NO	REV
4 5		1 2	CuFe2	962942-5	J
4 5		1 2	CuSn4	962942-3	J
5		PRETIN	CuFe2	962942-2	J
5		PRETIN	CuSn4	962942-1	J

THIS DRAWING IS A CONTROLLED DOCUMENT.		DWN M.Pfeilschiffer 24-JUL-03	TE Connectivity		
DIMENSIONS: mm		CHK M.Brunner 24-JUL-03			
TOLERANCES UNLESS OTHERWISE SPECIFIED:		APVD M.Bleicher 24-JUL-03	NAME MICRO TIMER 2 CONTACT Micro Timer 2 Kontakt		
0-PLC ±		PRODUCT SPEC 108-18055	SIZE A2		
1-PLC ±		APPLICATION SPEC 114-18081	CAGE CODE 00779		
2-PLC ± ±0.2		WEIGHT 0.3 g	DRAWING NO G-962942		
3-PLC ±		CUSTOMER DRAWING	RESTRICTED TO -		
4-PLC ±		SCALE 10:1	SHEET 1 OF 1		
ANGLES ±2°			REV J5		
FINISH					